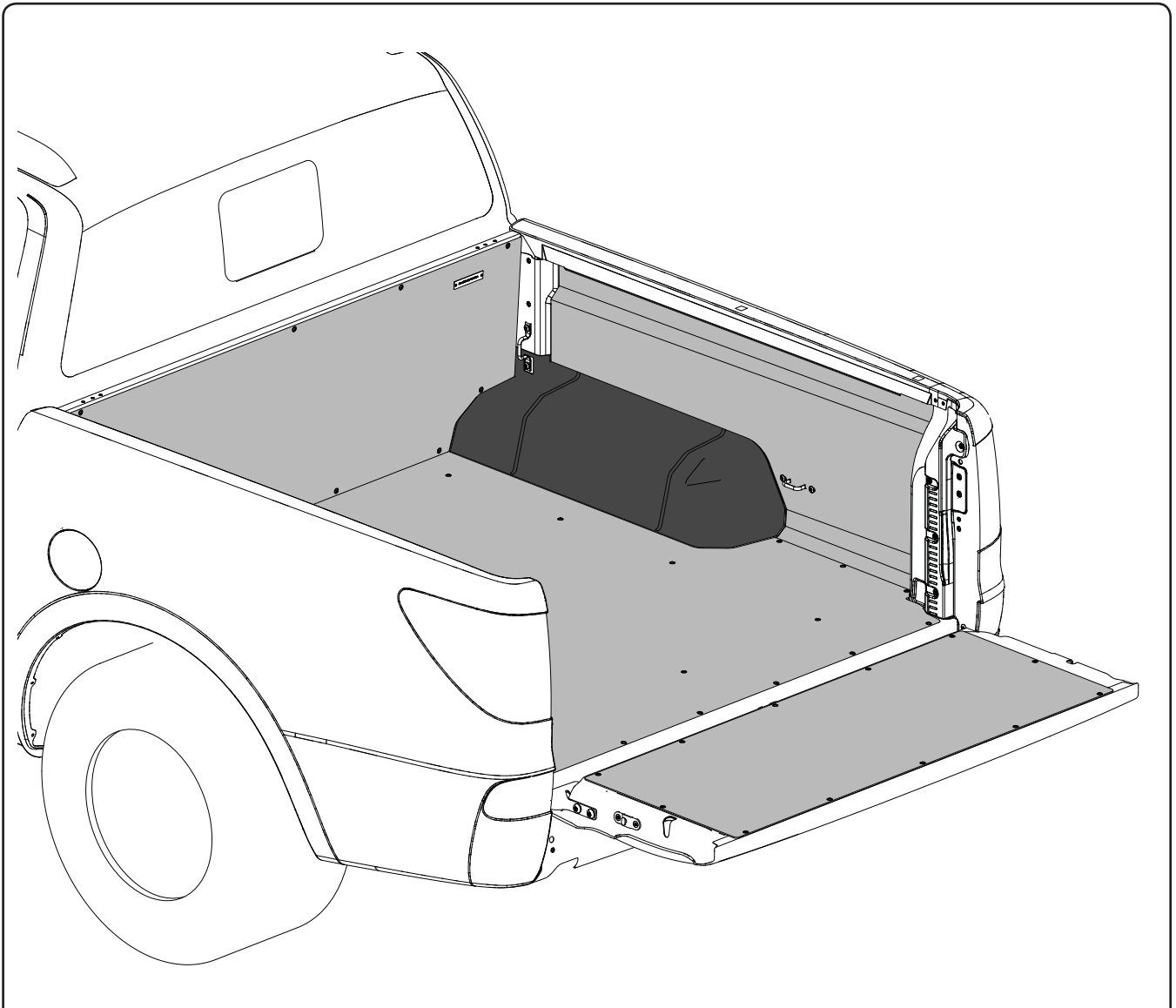


FORD / MAZDA

Aluminium Liner
Installation Instructions



Model Year: 2012 →
Part Number: AL FO90 A01 Double cab



Weight: 26 kg



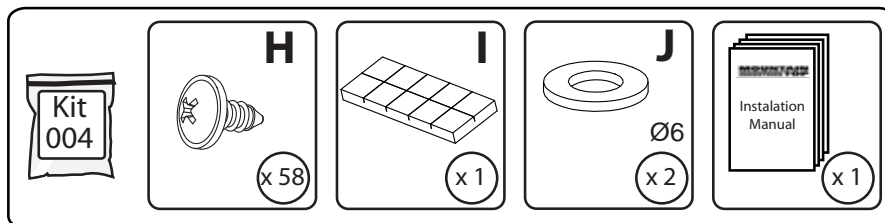
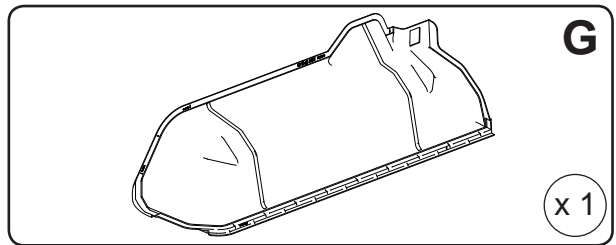
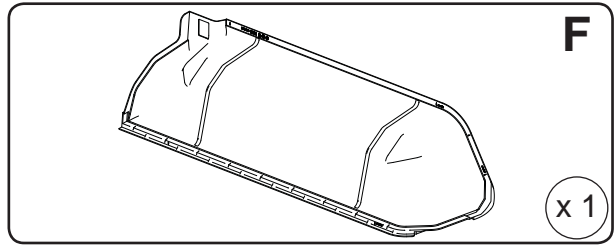
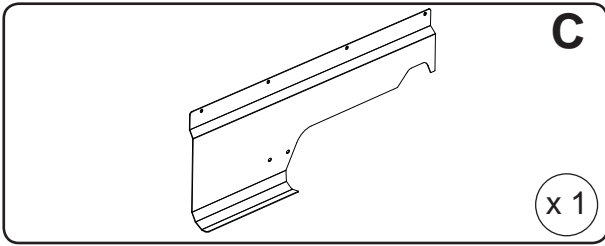
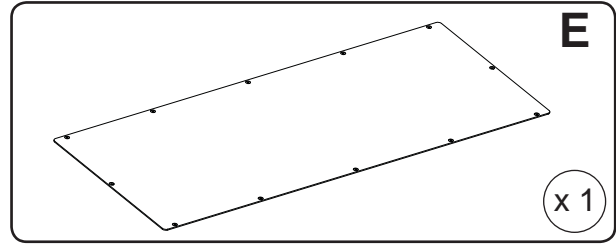
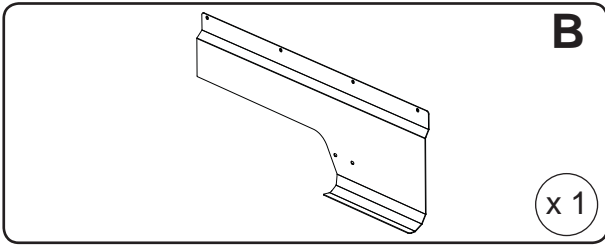
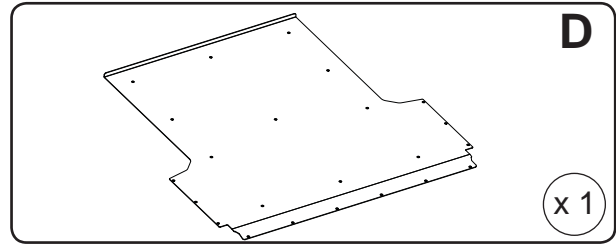
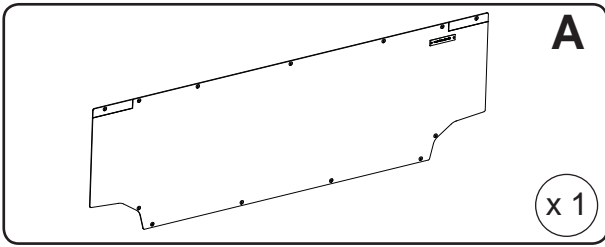
Installation Time: 1 hr

MTI-number 870 006	Issue 01	Date 22/03/2012	AL FO90 A01	Page 1 /10
Pedersholmparken 10 3600 Frederikssund Denmark ph: +45 4810 2950 Fax +45 4810 2960 www.mountaintop.dk				

FORD / MAZDA

Aluminium Liner

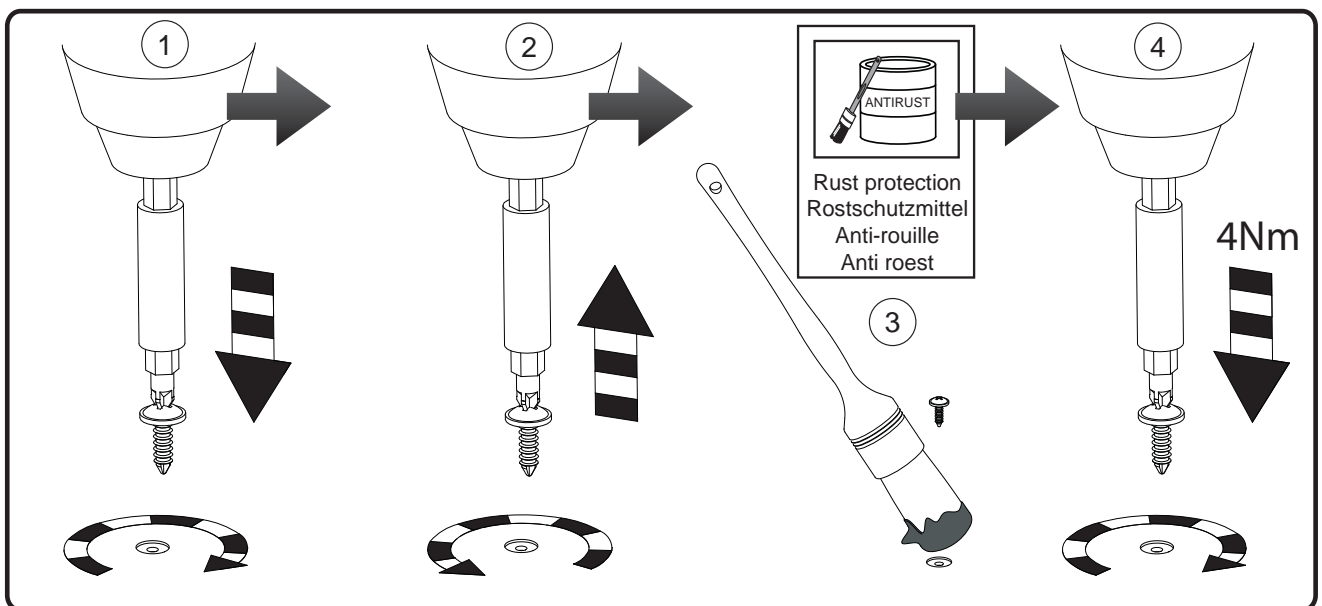
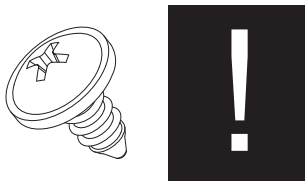
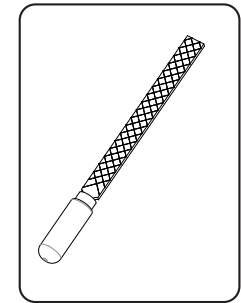
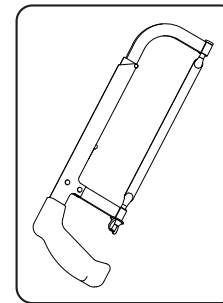
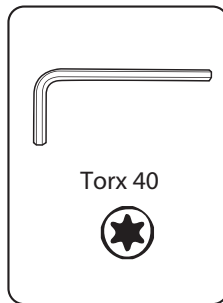
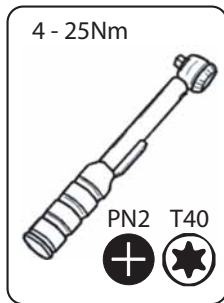
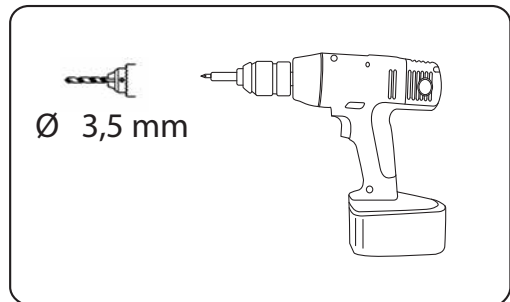
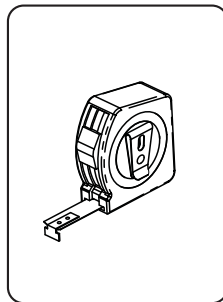
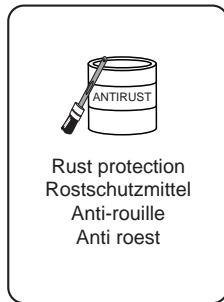
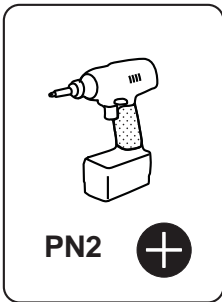
Installation Instructions



FORD / MAZDA

Aluminium Liner

Installation Instructions



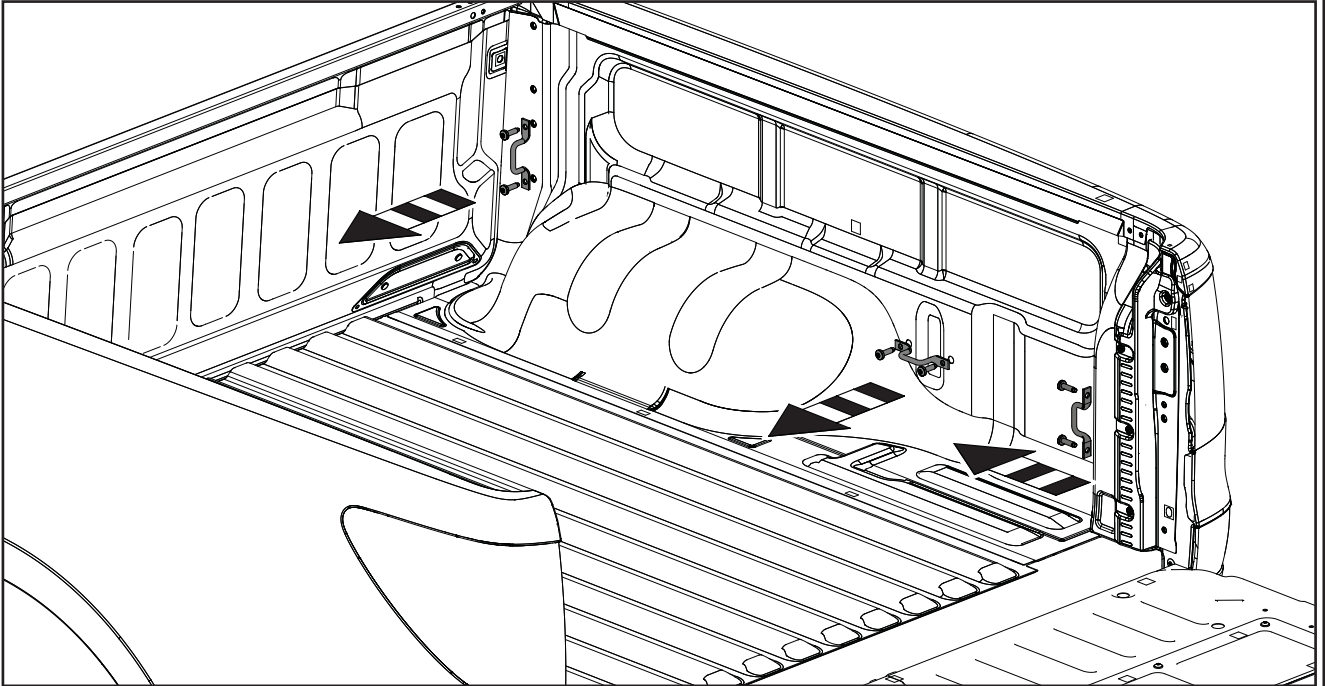
FORD / MAZDA

Aluminium Liner
Installation Instructions

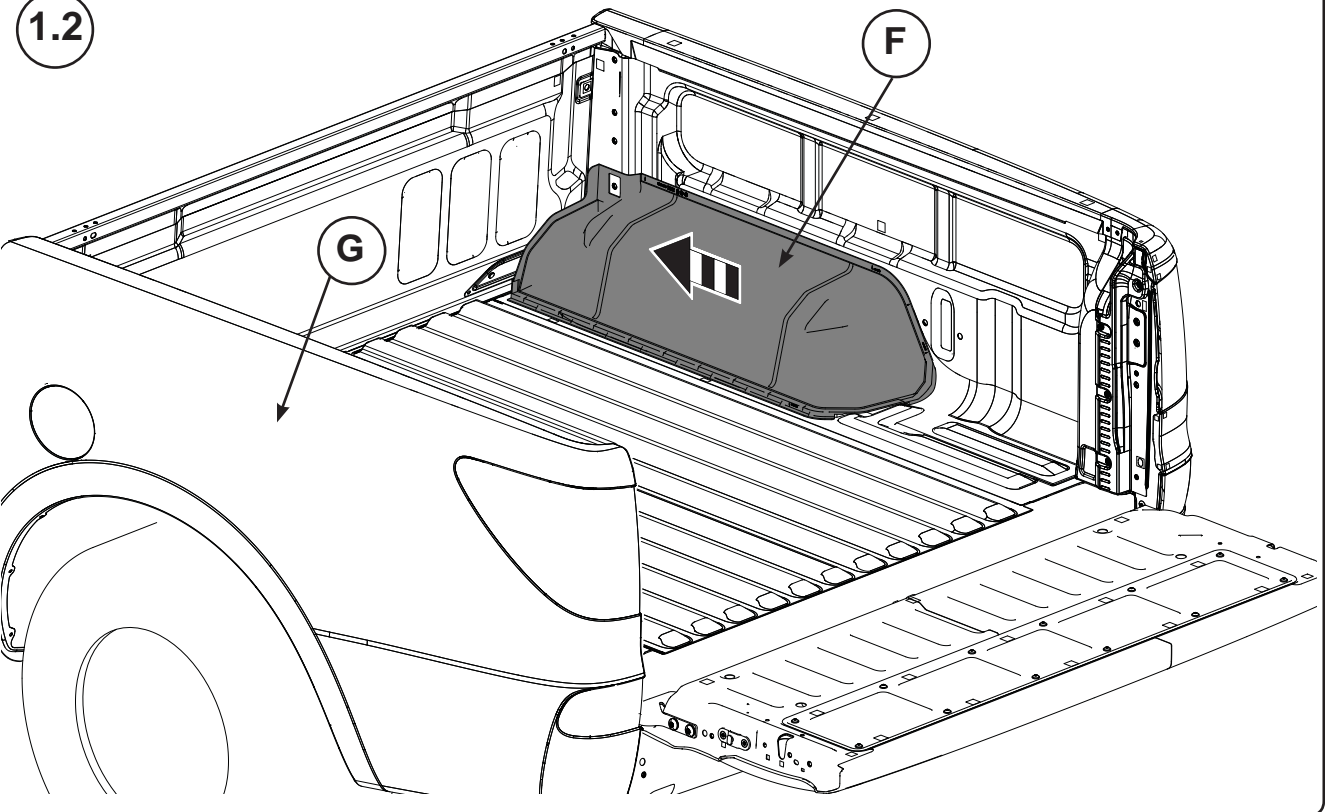
1.1



L & R



1.2

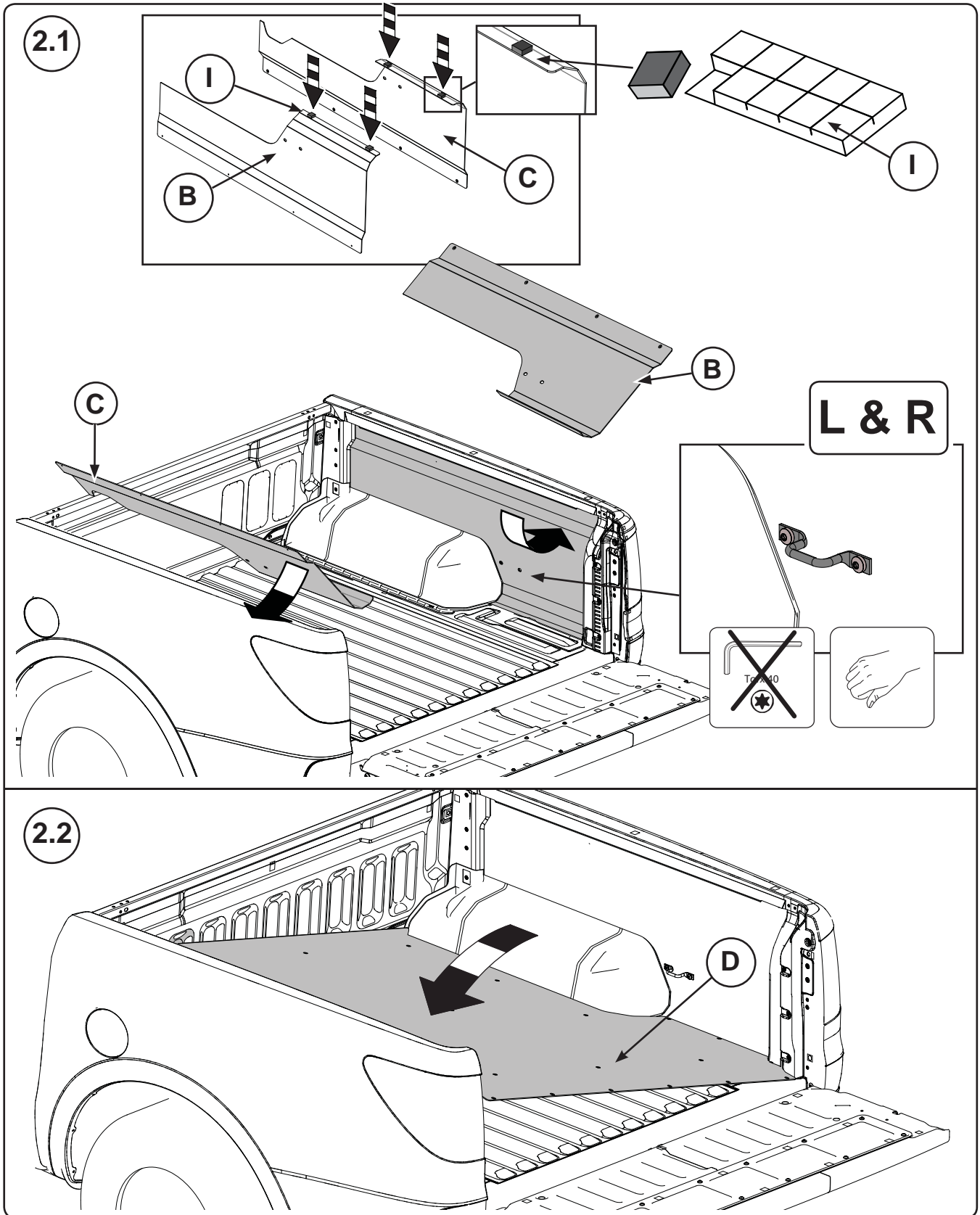


MTI-number 870 006	Issue 01	Date 22/03/2012	AL FO90 A01	Page 4 /10
Pedersholmparken 10	3600 Frederikssund	Denmark	ph: +45 4810 2950	Fax +45 4810 2960
			www.mountaintop.dk	

FORD / MAZDA

Aluminium Liner

Installation Instructions

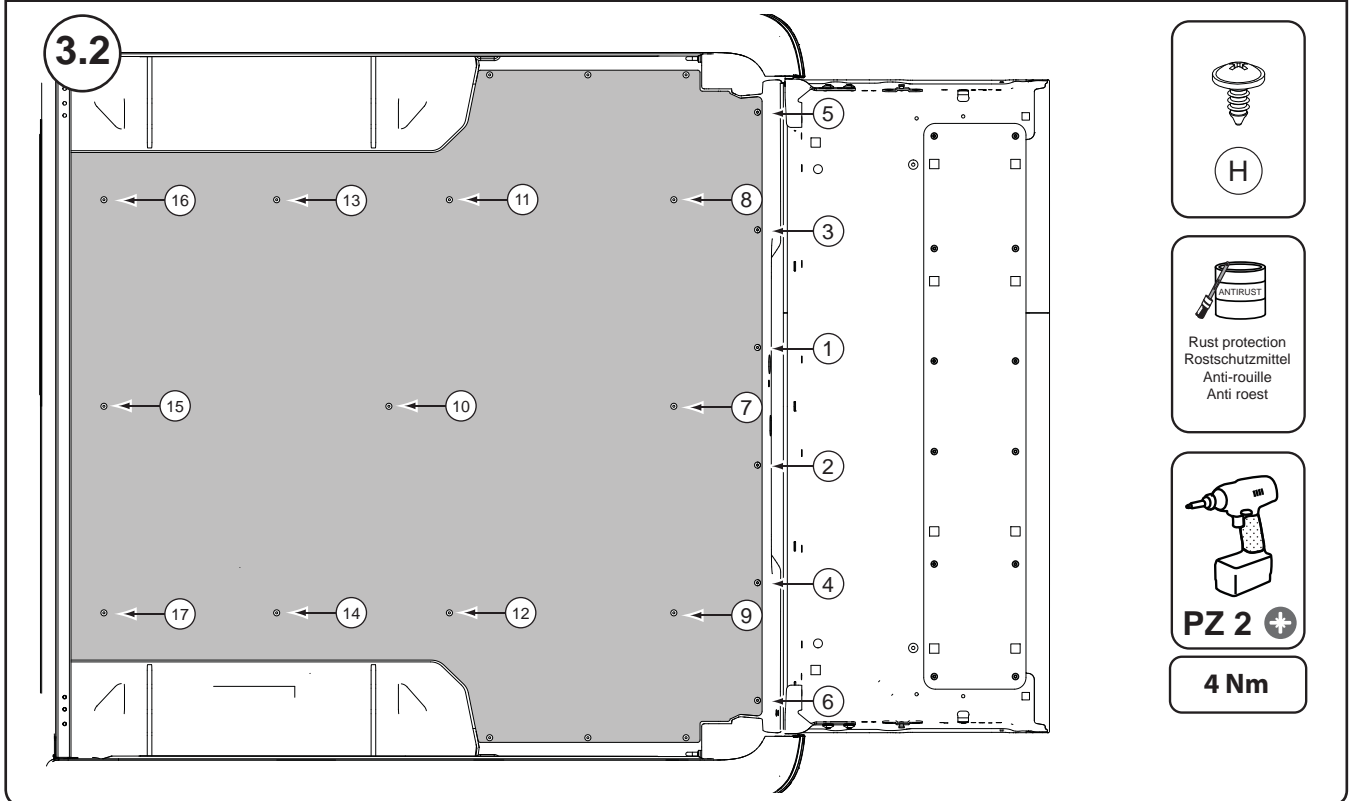
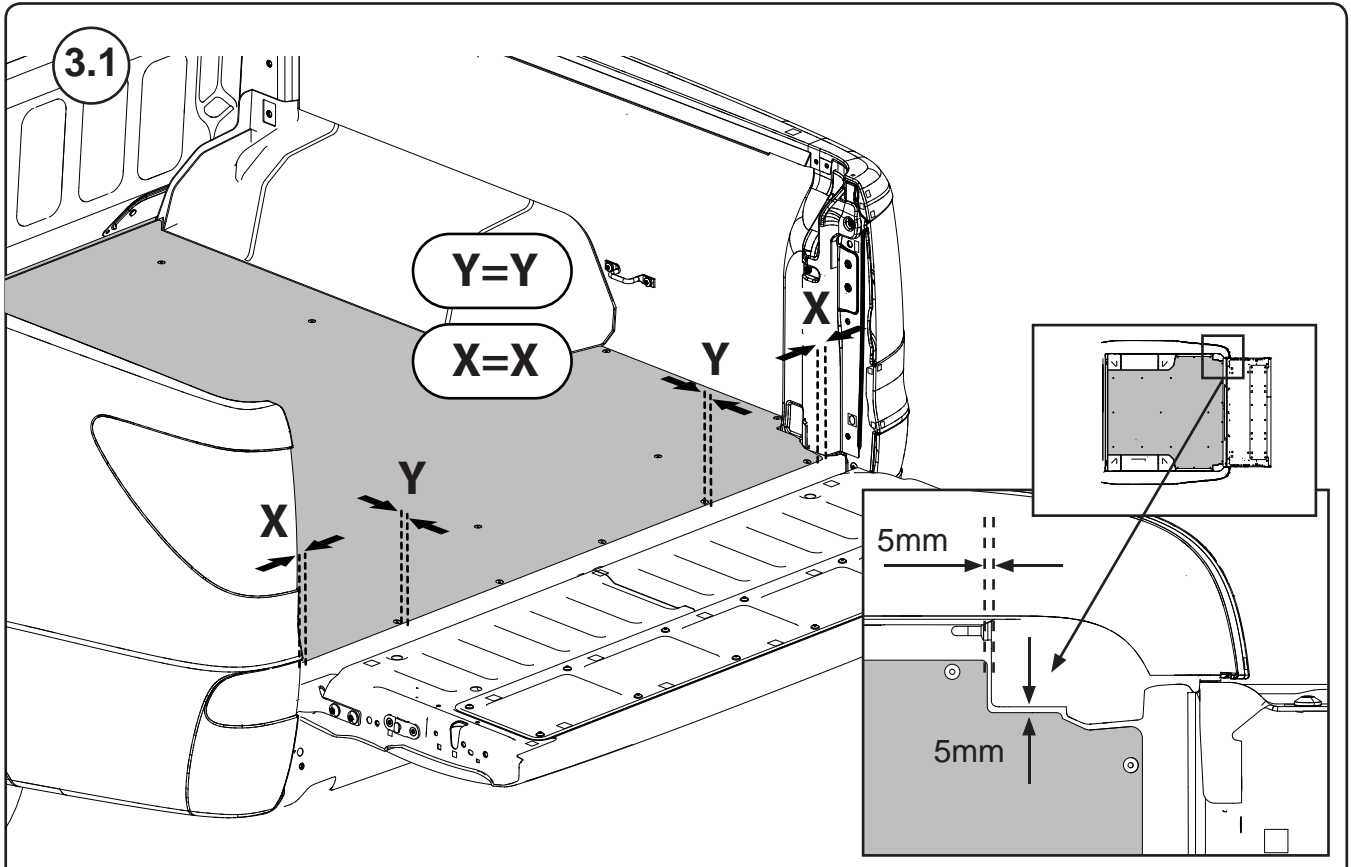


MTI-number 870 006	Issue 01	Date 22/03/2012	AL FO90 A01	Page 5 / 10
Pedersholmparken 10		3600 Frederikssund	Denmark	ph: +45 4810 2950
			Fax +45 4810 2960	www.mountaintop.dk

FORD / MAZDA

Aluminium Liner

Installation Instructions

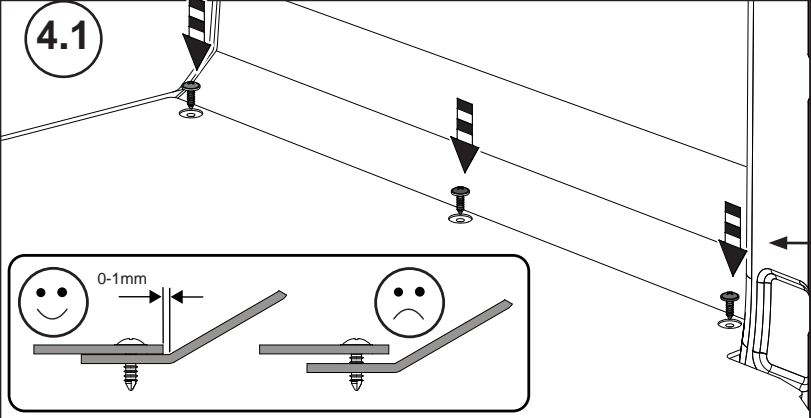


FORD / MAZDA


Aluminium Liner


Installation Instructions

4.1



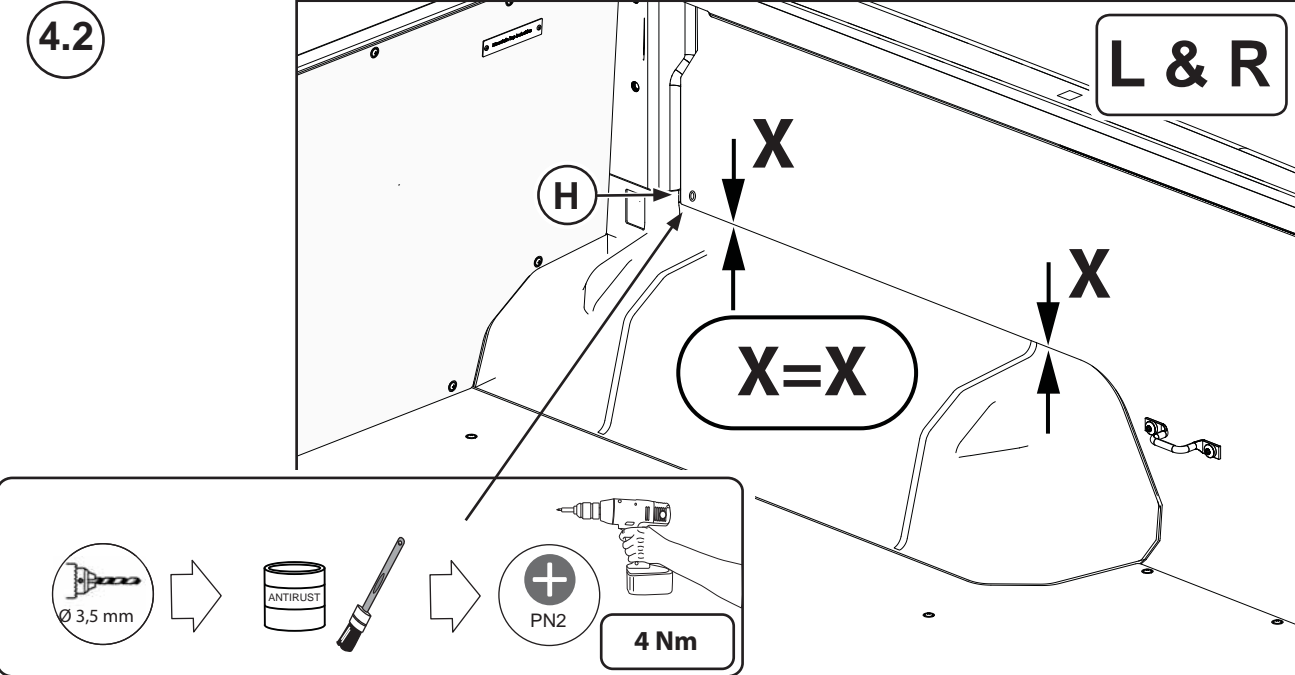
L & R


H


PN2 +

4 Nm

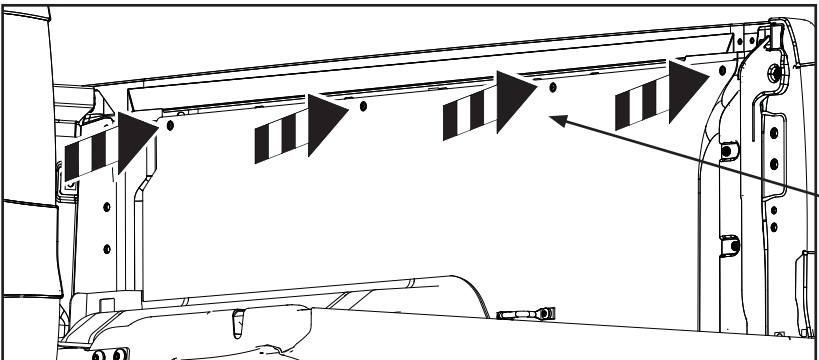
4.2




L & R


4 Nm


4.3



L & R


H


 Rust protection
 Rostschutzmittel
 Anti-rouille
 Anti roest


PN2 +

4 Nm

MTI-number 870 006	Issue 01	Date 22/03/2012	AL FO90 A01
Page 7 / 10	Pedersholmparken 10 3600 Frederikssund Denmark ph: +45 4810 2950 Fax +45 4810 2960 www.mountaintop.dk		

© Copyright, Mountain Top Industries ApS

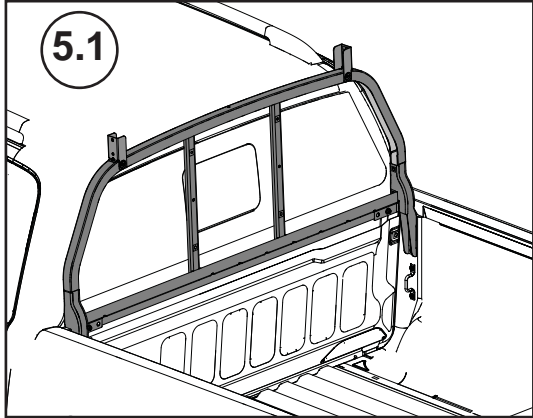
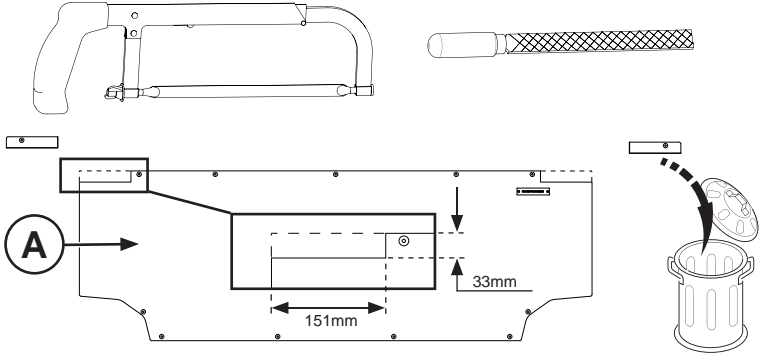
u:Monteringsvejledninger\870 006.PDF

FORD / MAZDA

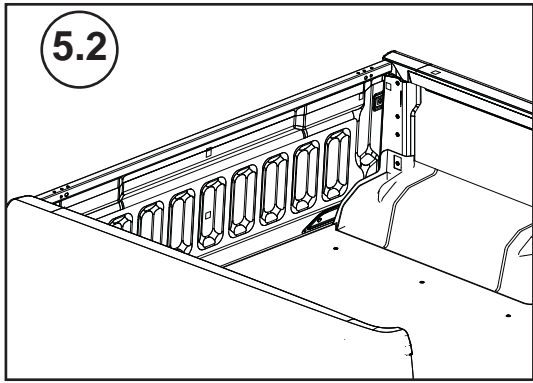
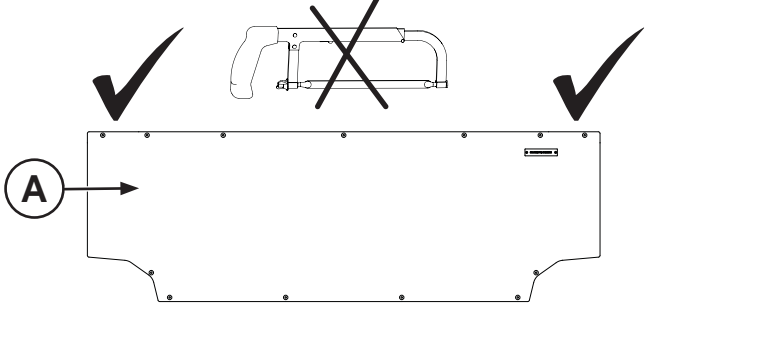
Aluminium Liner

Installation Instructions

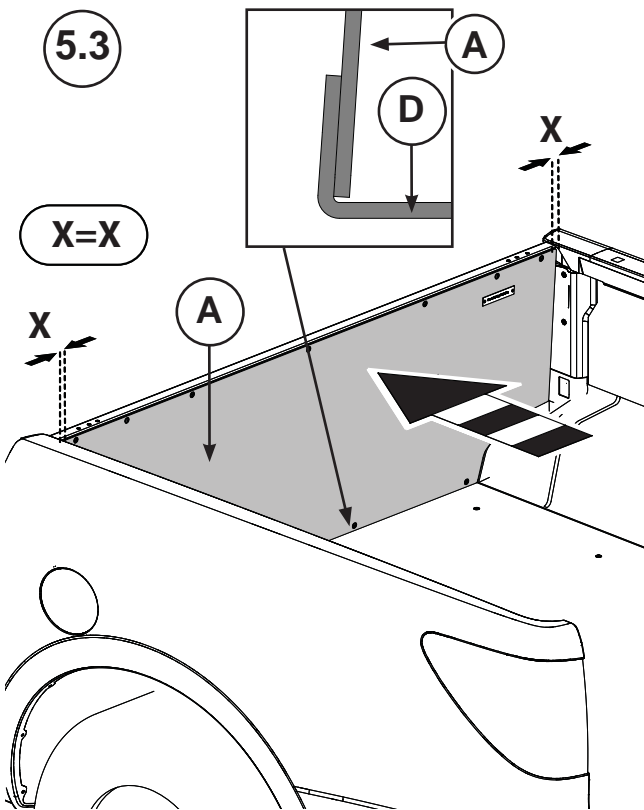
5.1

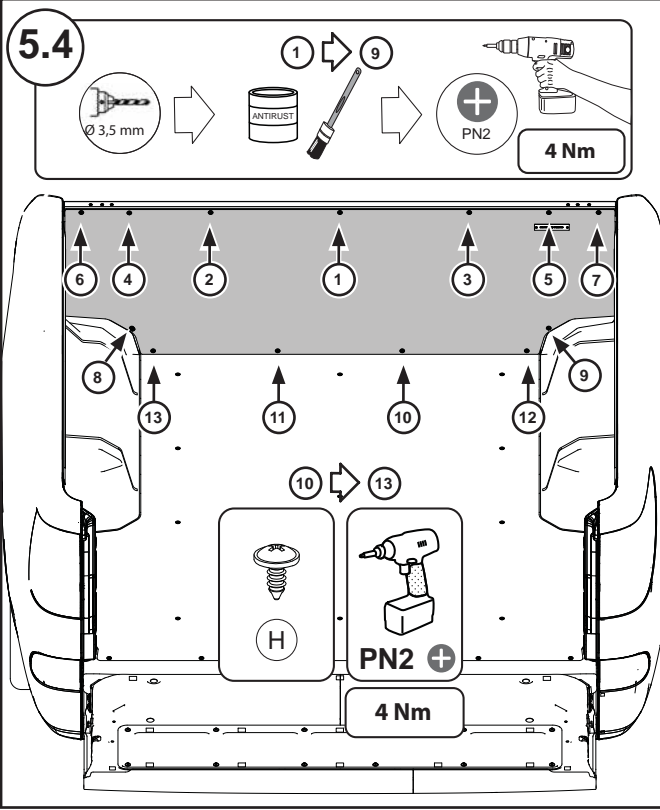
5.2

5.3



5.4

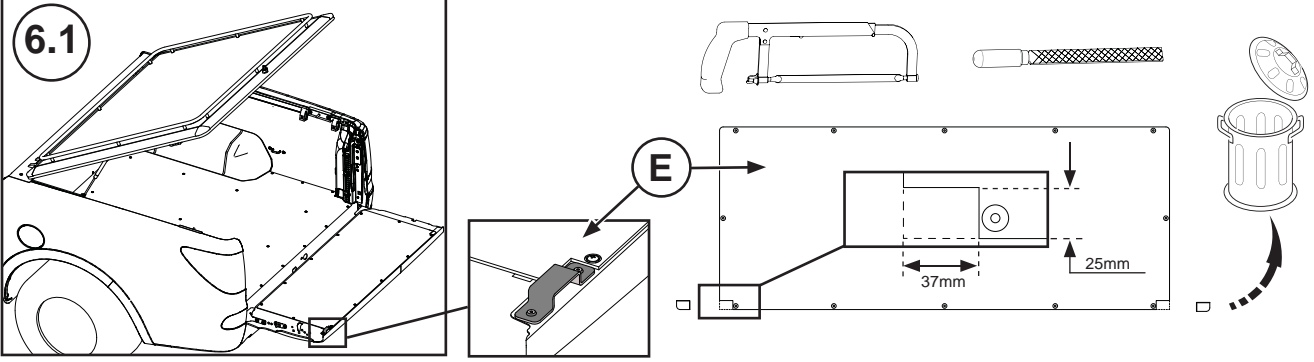


FORD / MAZDA

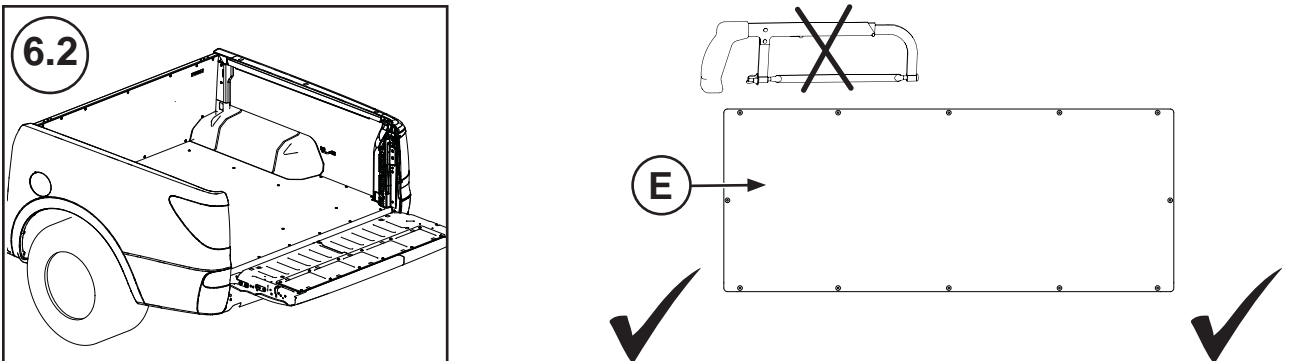
Aluminium Liner

Installation Instructions

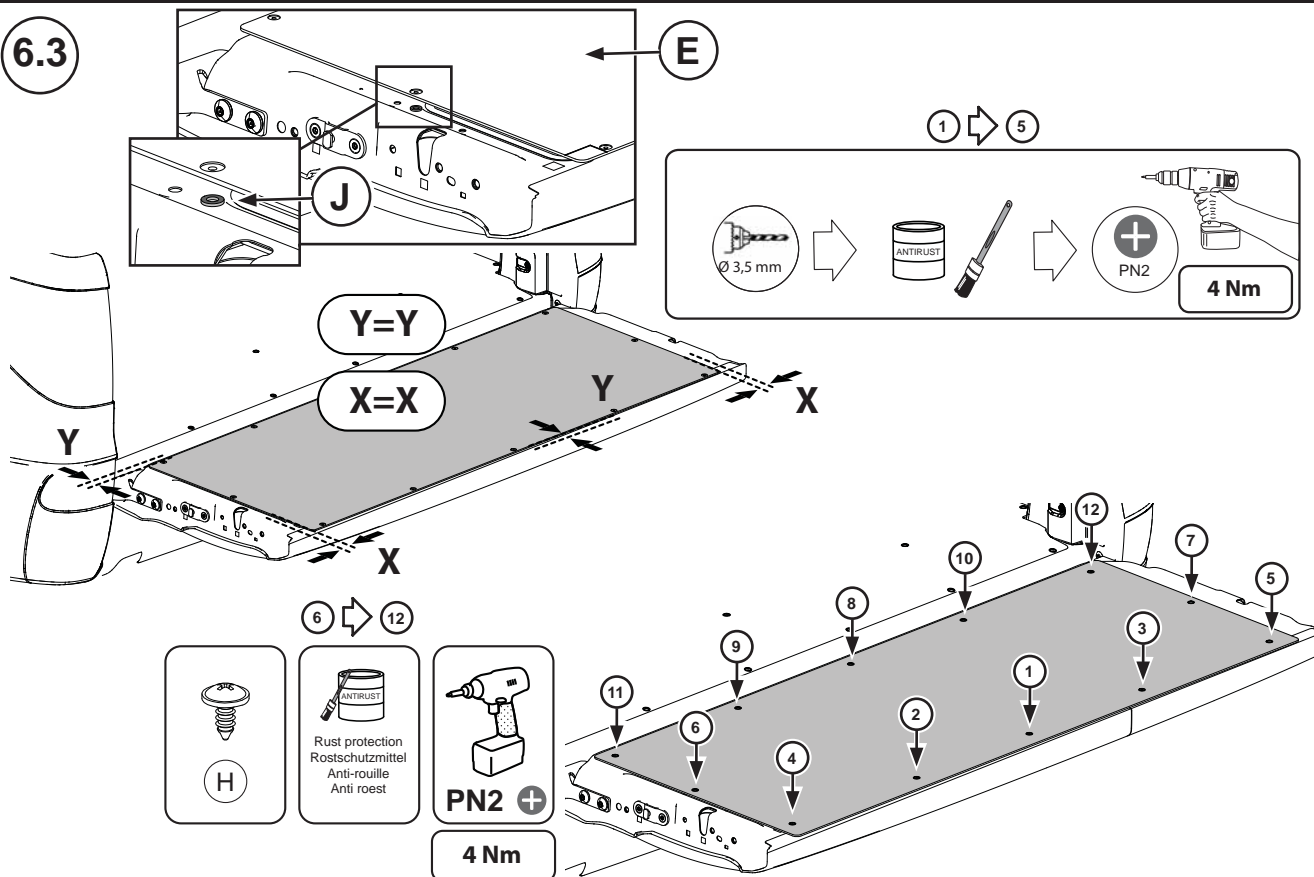
6.1



6.2



6.3



Y=Y
X=X

Ø 3,5 mm

ANTRUST

PN2 +

4 Nm

H

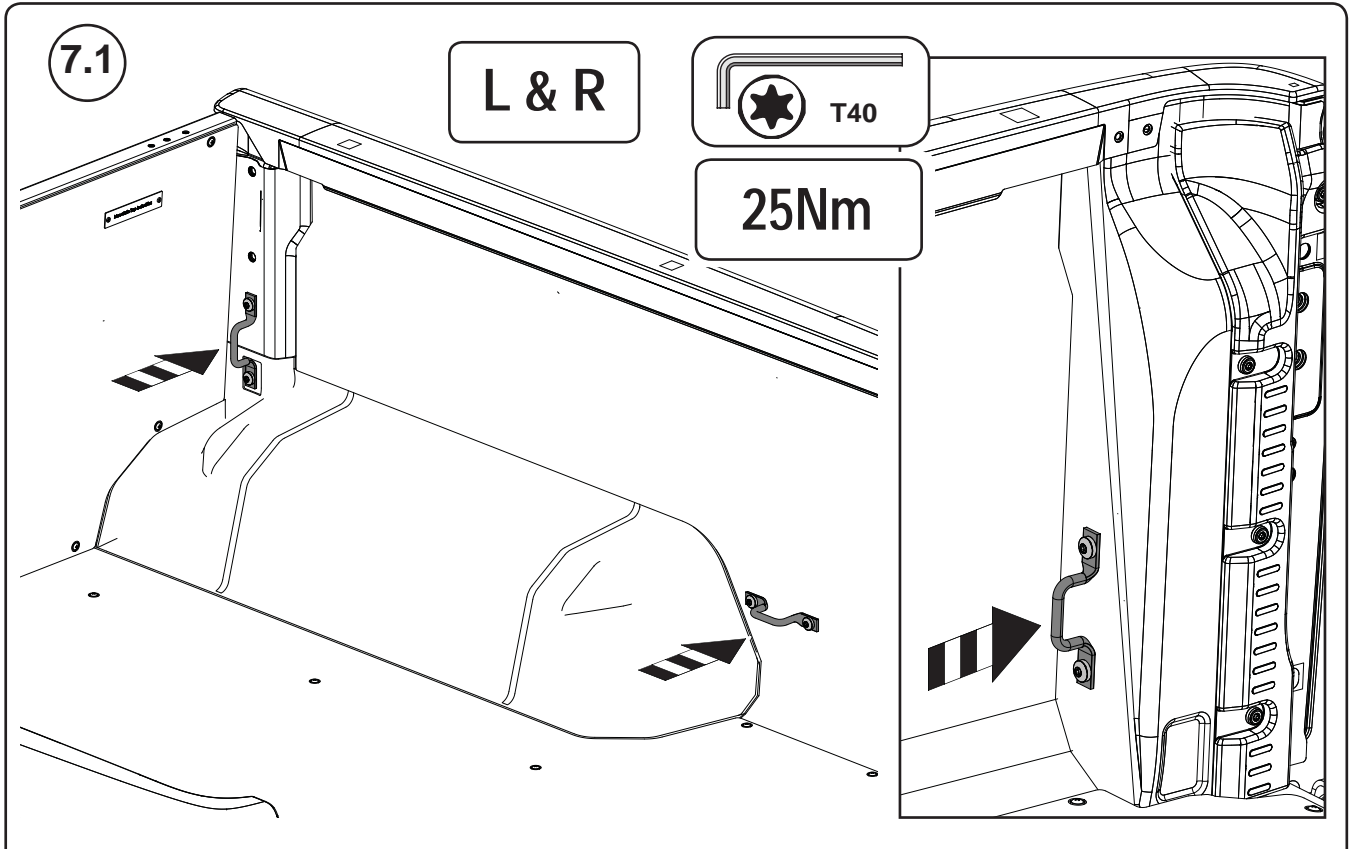
Rust protection
Rostschutzmittel
Anti-rouille
Anti roest

PN2 +

4 Nm

FORD / MAZDA

Aluminium Liner
Installation Instructions



MTI-number 870 006	Issue 01	Date 22/03/2012	AL FO90 A01	Page 10/10
Pedersholmparken 10	3600 Frederikssund	Denmark	ph: +45 4810 2950 Fax +45 4810 2960	www.mountaintop.dk